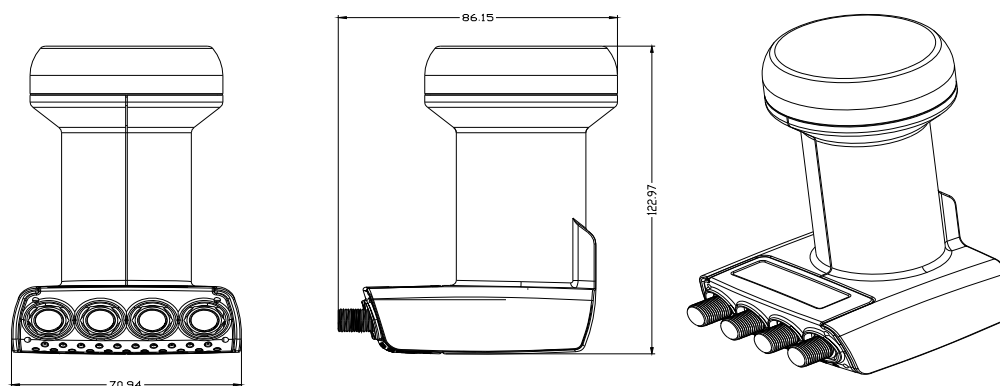


AE8009 - Lemon Quattro (systems) L.N.B

Technical Specifications

ITEM	SPECIFICATION
Low Band I/P Frequency Range	10.7 ~ 11.7 GH
O/P Frequency Range	950 ~ 1950 Mhz
LO Frequency	9.75 Ghz
Noise Figure	1.1(max) dB
Control Signals	N/A
High Band I/P Frequency Range	11.7 ~ 12.7 GHz
O/P Frequency Range	1100 ~ 2150 MHz
LO Frequency	10.6 GHz
Noise Figure	1.1(max) dB
Control Signals	N/A
LO Initial Accuracy	±1.0 MHz
LO Temperature Drift	±3.0 MHz
LO Phase Noise @ 1K Hz	-50 dBc / Hz
LO Phase Noise @ 10K Hz	-75 dBc / Hz
LO Phase Noise @ 100K Hz	-95 dBc / Hz
Conversion Gain	50-65 dB
Gain Variation	±0.75dB/36 MHz
Image Rejection	40 (min.) dB
O/P 1 dB Compression Point	0.0 (min.) dBm
Crosstalk Isolation	18 (min.) dB
Control Signals Ca [V]	N/A
Control Signals Cb [H]	N/A
Control Signals Cc	N/A
O/P Supurious	- 60 (max.) dBc
O/P VSWR	2.5 : 1
Radiated Interference	-45 dBm
DC Power	11 ~ 20 / 220 Vdc/mA
Working Temperature	- 30 ~ + 60
Output Impedance	75 Ω (F-Type)
Weight	232g



www.sacelectronics.co.uk

Tel: 01332 348533